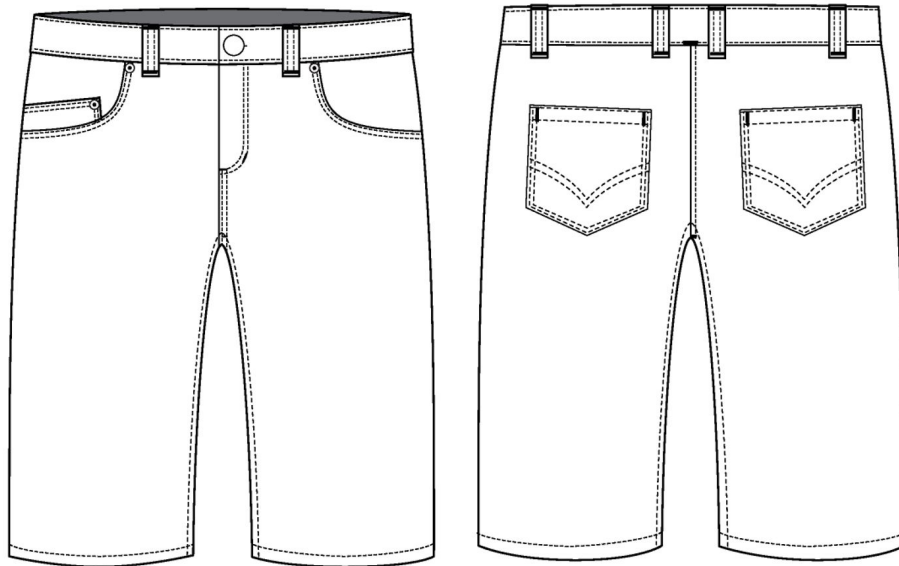


Example Shorts - Style #ABC123

Mens, Easy Wearing Shorts, Spring/Summer

Summary



Name	Example Shorts
Style No.	ABC123
Description	Men's shorts
Division	Mens
Category	Easy Wearing Shorts
Season	Spring/Summer
Size Scale	L -Sample size
	<input type="checkbox"/> S <input type="checkbox"/> M <input type="checkbox"/> L <input type="checkbox"/> XL <input type="checkbox"/> 2XL
Main Fabric	60% Polyester, 40% Cotton
Created by/Author	12/12/2023 Tech Team

Example Shorts

Example Shorts - Style #ABC123

Mens, Easy Wearing Shorts, Spring/Summer

COMPONENT	QTY	NOTES	PLACEMENT	1. ● DENIM INT CODE: 2052	
FABRIC					
1	Example Fabric CODE: blKrx	1.5		Main	- Example Fabric
2	Example Fusing CODE: er8e6	0.5		Fly fusing	- Example Fusing
TRIMS					
3	Example Zip CODE: Mk19g	1		CF Zip	- Example Zip
4	Example Thread CODE: O3OFW	1.5		All seams	- Example Thread
5	Example Rivet CODE: We6Xb	3		x2 tops of pocket mouth 2mm below waistband x1 wearer's right side top corner of fob pocket	- Example Rivet
6	Example Button CODE: o4GLx	1		CF opening	- Example Button
BRANDING AND LABELS					
7	Example Swing Tag CODE: WKp4Q	1		Attached through size pip	- Example Swing Tag
8	Example Care Label CODE: vgBPo	1		Inner left side seam - 12cm down from waistband	- Example Care Label
9	Example Size Pip CODE: A9OZd	1		5mm to the left of brand label	- Example Size Pip
10	Example Brand Label CODE: 13I44	1		inner CB waistband	- Example Brand Label
Components 10					

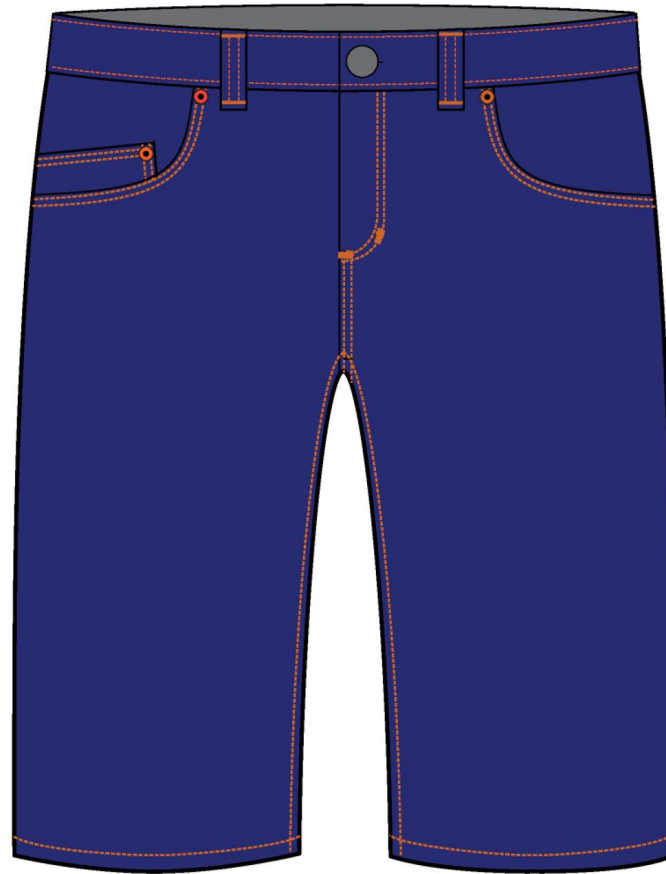
Example Shorts - Style #ABC123

Mens, Easy Wearing Shorts, Spring/Summer

Size Specifications - Graded Measurements

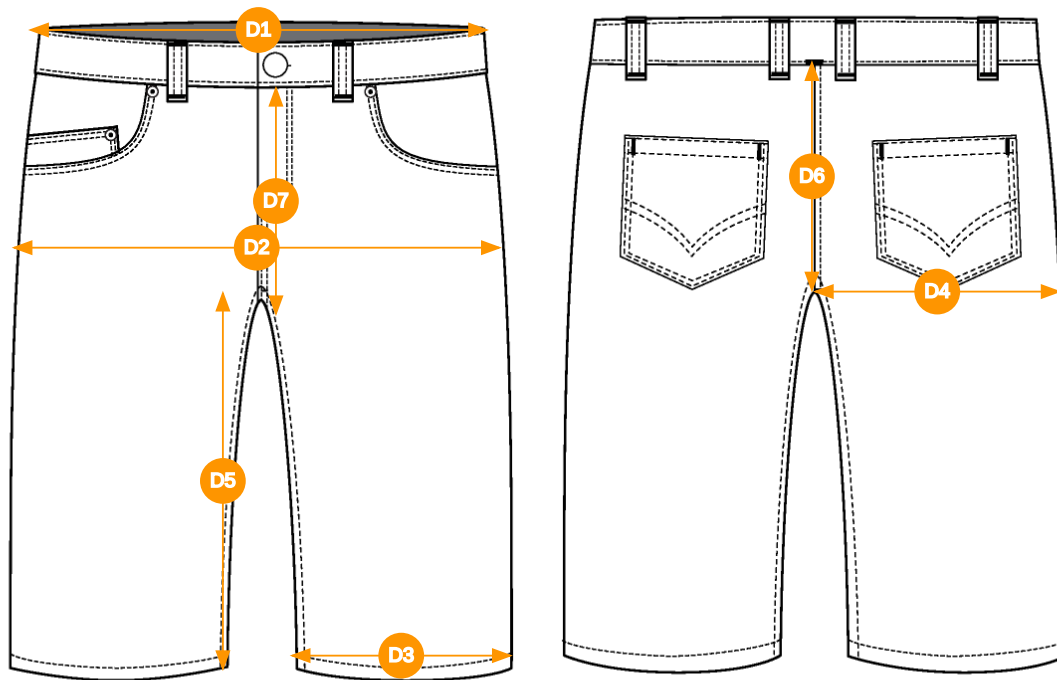
Sample Size: L

POINT OF MEASURE	CODE	HOW TO MEASURE	CRITICAL	TYPE	TOLERANCE	S	M	L	XL	2XL
1/2 Waist	W 1/2	Measured 17cm from underarm - straight across body	true	Half	1 cm	40.5 cm	43 cm	45.5 cm	48 cm	51.5 cm
1/2 Hip	1/2H	Laying flat, straight across at widest point	true	Half	1 cm	53 cm	55.5 cm	58 cm	60.5 cm	63 cm
1/2 CRUTCH WIDTH	1/2CW	Measured from crutch point to side leg	true	Half	1 cm	34.1 cm	34.8 cm	35.5 cm	37 cm	38.5 cm
Front rise	FRR	Length from crotch seam to waistband seam on front	true	Full	1 cm	24.3 cm	24.9 cm	25.5 cm	26.1 cm	26.7 cm
Back rise	BKR	Length from crotch seam to waistband seam on back	true	Full	1 cm	35.6 cm	36.3 cm	37 cm	37.7 cm	38.4 cm
Inner leg length	Leg IN	Length from crotch seam to hem on inside leg	true	Full	1 cm	30 cm	33 cm	36 cm	39 cm	42 cm
1/2 Hem	HEM 1/2	Measured straight across at hem.	true	Half	1 cm	23.6 cm	24.3 cm	25 cm	25.7 cm	26.4 cm
Fly length	FLY	Measured from WB seam to fly stitching	true	Full	0.5 cm	15 cm	15 cm	15 cm	15 cm	15 cm



Artboard 4

1. ● Denim
Int Code: 2052



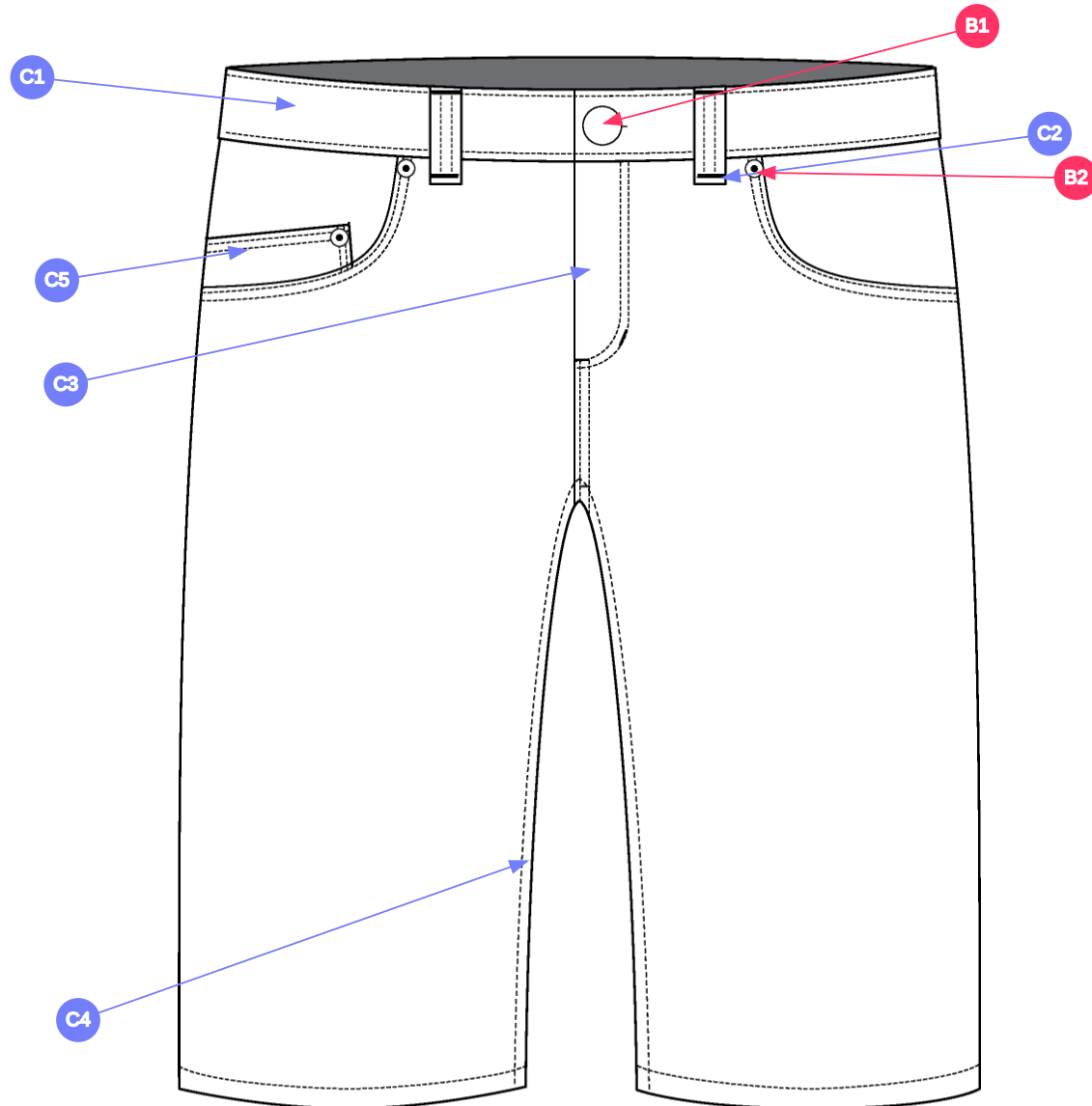
Points of measure (7)

- D1** 1/2 Waist
- D2** 1/2 Hip
- D3** 1/2 Hem
- D4** 1/2 CRUTCH WIDTH
- D5** Inner leg length
- D6** Back rise
- D7** Front rise

Example Shorts - Style #ABC123

Mens, Easy Wearing Shorts, Spring/Summer

Images / Construction Details



Components (2)

B1 Example Button

B2 Example Rivet

Construction Details (5)

C1 4cm self lined and edge stitched top and bottom

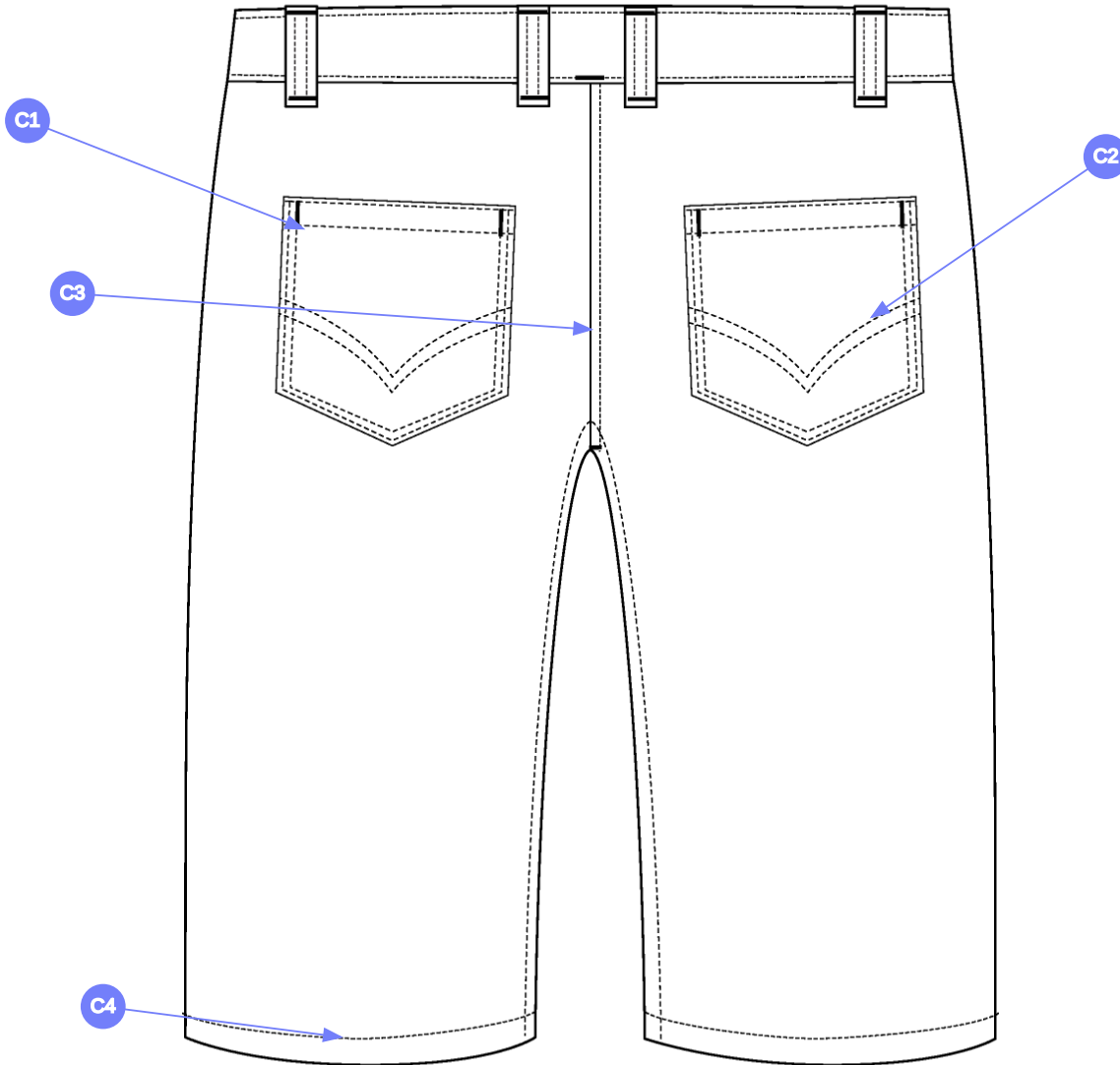
C2 cut length = 13cm. 1st belt loop 9cm either side of CF. 2nd belt loop on notch at side seam. 3rd belt loop 4cm either side of the CB. finished length = 6.5cm. Bar tacked each end

C3 Left over right (men's fly)

C4 flat felled inner leg seam

C5 Jean side pockets with fob pocket. Twin needled 7mm apart

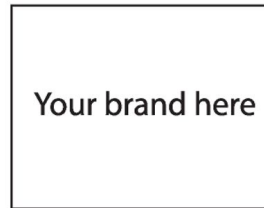
Artboard 6



Construction Details (4)

- C1** patch pocket attached with twin needle
- C2** decorative stitching 1cm apart.
- C3** Join with 5 thread and top stitched at 7mm
- C4** 1.5cm, double turned hem

Brand label



Swing tag



Size Label



Country of origin / Care label

